

<p>Base price: £1695.00</p> <p>(including side panels and foot rests)</p>	<p>Order no.:</p> <hr style="border: 0; border-top: 1px solid black; margin-top: 10px;"/>
--	---

<input type="checkbox"/> Provide estimate only	<input type="checkbox"/> Order
Billing address / customer number	
Delivery address	
Sales person	Name
 Date Signature

Blizzard

Rigid frame wheelchair for active use

Article number: 480A47=00000_K



Standard equipment

- High-strength aluminium frame
- Rigid axle
- Foot plate, different angle and height settings are possible
- Seat upholstery, adaptable
- Different back angle settings are possible from -20° to +10°
- Folding back rest, automatically engaging
- Aluminium side panels
- Wheel camber selectable in 3° increments
- Hollow rims with high-pressure tyres
- Knee lever wheel lock

Max. user weight 125 kg

Basic data			
Seat width (SW) _____ cm		Anterior seat height (ASH) _____ cm	
Seat depth (SD) _____ cm		Posterior seat height (PSH) _____ cm	
Back height (BH) _____ cm		Lower leg length (LL) _____ cm	

Seat measurements	
Seat width SW* in cm	[] 32 [] 34 [] 36 [] 38 [] 40 [] 42 [] 44 [] 46
Seat depth SD in cm	[] 36 [] 38 [] 40 [] 42 [] 44 [] 46 [] 48

* SW Blizzard = distance between the side panels

Seat height measurements	
Anterior seat height (ASH) in cm	[] 44 [] 45 [] 46 [] 47 [] 48 [] 49 [] 50 [] 51 [] 52 [] 53
Posterior seat height (PSH) in cm	[] 38 [] 39 [] 40 [] 41 [] 42 [] 43 [] 44 [] 45 [] 46 [] 47 [] 48 [] 49 [] 50 [] 51 [] 52 [] 53

Front frame angle		
MA 20	[]	75° Inclusive
MA 21	[]	85° Inclusive
MA 22	[]	85°, extended form (4 cm) Inclusive

Front frame offset		
MA 14	[]	0 cm offset Inclusive
MA 15	[]	2 cm offset Inclusive
MA 16	[]	4 cm offset Inclusive

Information

Seat height table

Anterior seat height

Caster fork	Caster wheel size	short	long
	3"	44 – 46	48 – 49
	4"	44 – 47	48 – 51
	5"	44 – 48	48 – 52
	5.5"	47 – 49	49 – 53
	6"	48 – 50	49 – 53

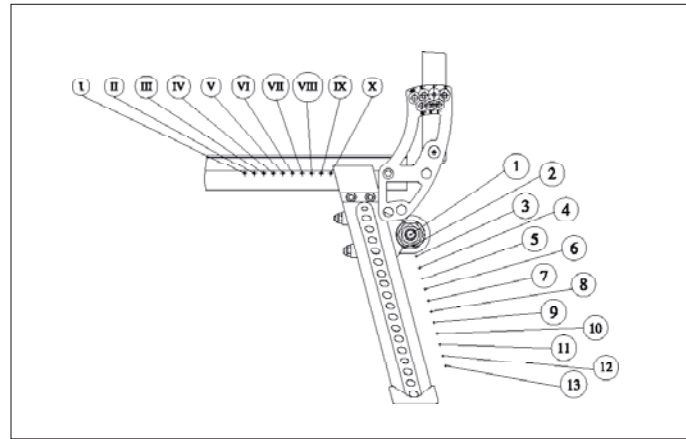
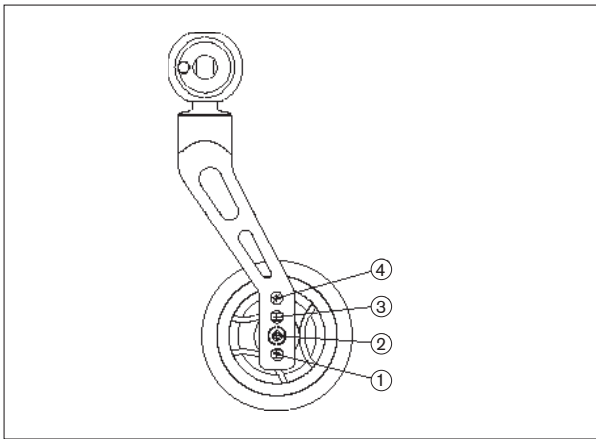
Seat height table

Posterior seat height

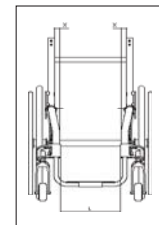
Wheel attachment device		short	medium	long
Wheel size	24"	38 – 42	38 – 46	38 – 52
	26"	40 – 44	40 – 49	40 – 53

The values indicated are rounded values which have been theoretically determined. Maximal deviation: 1 cm. The anterior seat height depends on the selected wheel size, caster fork and mounting position. Please refer to the seat height table. Specified without seat cushion at 0° seat inclination.

Rear wheel position (centre of gravity)



Inside dimensions (L) with respective offset / seat width in cm									
Offset \ Seat width	32	34	36	38	40	42	44	46	
X=0 cm	23*	25	27	29	31	33	35	37	
X=2 cm	–	21*	23*	25	27	29	31	33	
X=4 cm	–	–	–	21*	23*	25	27	29	



* Tube foot rest light, fixed, is not possible with these inside dimensions

Frame accessories			
MA 50	[]	Transport wheels	£131.00
MA 51	[]	Tip-assist, right	£60.00
MA 52	[]	Tip-assist, left	£60.00
MA 55	[]	Anti-tipper, right	£95.00
MA 56	[]	Anti-tipper, left	£95.00
MA 57	[]	Crutch holder, right	£65.00
MA 58	[]	Crutch holder, left	£65.00
MA 60	[]	Frame pad	£25.00
Caster wheels		(dimensions in mm)	
MF 01	[]	3" skater caster, hard	(70 x 25) Inclusive
MF 11	[]	3" luminous caster	(70 x 24) £28.00
MF 02	[]	4" solid rubber, grey	(100 x 32) Inclusive
MF 21	[]	4" luminous caster	(100 x 24) £28.00
MF 35	[]	4" Froglegs soft caster, aluminium	(100 x 38) £99.00
MF 03	[]	5" solid rubber, grey	(125 x 32) Inclusive
MF 36	[]	5" Froglegs soft caster, aluminium	(125 x 38) £99.00
MF 04	[]	5.5" soft caster, grey	(140 x 40) Inclusive
MF 05	[]	6" pneumatic, grey	(150 x 30) Inclusive
MF 06	[]	6" solid rubber, grey	(155 x 33) Inclusive
MF 37	[]	6" Froglegs soft caster, aluminium	(150 x 38) £99.00
Caster forks			
MF 80	[]	Caster fork, long	Inclusive
MF 81	[]	Caster fork, short	£22.00
Caster axle			
MF 90	[]	Caster forks with threaded axles	Inclusive
MF 91	[]	Caster forks with quick-release axles	£100.00
Caster fork surface			
MF 92	[]	Light-coloured anodised	Inclusive
MF 93	[]	Polished	£85.00
Rear wheel size			
MG 02	[]	24"	Inclusive
MG 03	[]	26"	Inclusive
Rear wheel position (centre of gravity)			
[] I	[] II	[] III	[] IV
[] V	[] VI	[] VII	[] VIII
[] IX	[] X		
Axle with camber			
MG 40	[]	0°	Inclusive
MG 41	[]	3°	Inclusive
MG 42	[]	6°	Inclusive
MG 43	[]	9°	Inclusive

Information



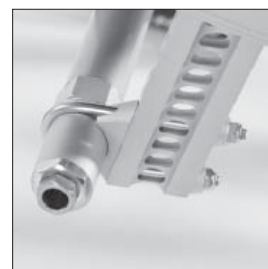
MA 20 75° frame



MF 30 Design caster



MA 21 85° frame



MG 75 Rear wheel attachment device



MG 85 Wheelbase extension with second axle



MH 04 Performance wheel lock



MH 04 S-type wheel lock



MD 72 Spacer fabric



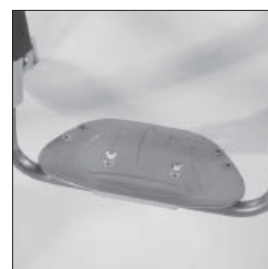
MD 56 Fold-down push handles



ME 02 Aluminium clothing protector



ME 05 Plug-on side panel with arm rest



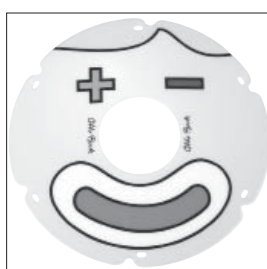
MB 03 Single-panel foot rest



MB 10 Individual foot rests



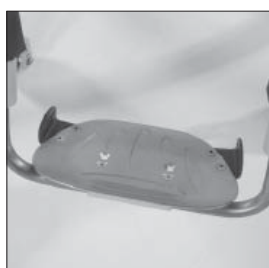
MG 91 Eye Catcher decor



MG 93 Clown decor



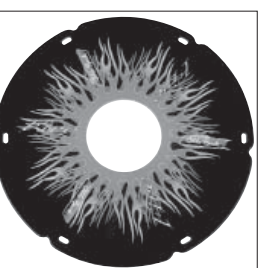
MB 06 Titanium tube foot rest



MB 71 Lateral heel blocks



MG 92 Flower Power decor



MG 94 Fire decor

Rear wheel rim			24"	26"	
MG 06	[]	Hollow rim	•	•	Inclusive
MG 10	[]	Spinergy SPOX	•		£350.00
MG 12	[]	Hurricane wheel with aluminium push ring (not available in combination with PU tyres)	•		£68.00
MG 13	[]	Hurricane wheel with stainless steel push ring (not available in combination with PU tyres)	•		£67.00
MG 14	[]	Mountain bike wheel (24", Schwalbe Landcruiser tyre, black anodised push ring, spoke protector not available)	•		£245.00
MG 15	[]	Infinity Ultralight	•		£95.00
MG 16	[]	BOR lightweight rear wheel	•		£618.00

Tyres			24"	26"	
MG 31	[]	Schwalbe RightRun, fine tread, 1"	•	•	Inclusive
MG 32	[]	Schwalbe HS 228, coarse tread, 1"	•		Inclusive
MG 33	[]	Schwalbe DownTown, asymmetrical tread, 1"	•		Inclusive
MG 34	[]	PU tyres, 1"	•		Inclusive
MG 36	[]	Schwalbe Airborne	•		£57.00
MG 37	[]	Schwalbe Marathon Plus Evolution, 1", puncture-proof	•		£24.00

Rear wheel attachment device					
MG 75	[]	Short (max. posterior seat height 44 cm)			Inclusive
MG 76	[]	Medium (max. posterior seat height 49 cm)			Inclusive
MG 77	[]	Long (max. posterior seat height 53 cm)			Inclusive

Push rings			24"	26"	
MG 50	[]	Aluminium, black coated, high	•	•	Inclusive
MG 52	[]	Aluminium, silver anodised, high	•		Inclusive
MG 53	[]	Aluminium, silver anodised, low	•		Inclusive
MG 54	[]	Rubber-coated, high	•	•	£78.00
MG 56	[]	Stainless steel, polished, high	•	•	£35.00
MG 57	[]	Stainless steel, polished, low	•		£35.00
MG 58	[]	Titanium, polished, high	•		£250.00
MG 60	[]	Top Grip, high (wide mounting position only)	•		£110.00

Push ring mounting					
MG 70	[]	Narrow mounting position			Inclusive
MG 71	[]	Wide mounting position			Inclusive

Wheelbase extension					
MG 85	[]	With two axles			£195.00
MG 86	[]	Single			£185.00
MG 46	[]	Without			Inclusive

Rear wheel accessories					
MG 87	[]	High-pressure air pump, 14 bar			£100.00
MG 88	[]	Airman pump, battery-operated			£81.00

Wheel locks					
MH 01	[]	Knee lever wheel lock, standard			Inclusive
MH 02	[]	Knee lever wheel lock, standard, short			£20.00
MH 04	[]	Performance wheel lock			£172.00
MH 05	[]	S-type wheel lock			£199.00

Wheel lock accessories			
MH 10	<input type="checkbox"/>	Plug-on wheel lock lever extension	£17.00
Back height			
<input type="checkbox"/> 25 <input type="checkbox"/> 27.5 <input type="checkbox"/> 30 <input type="checkbox"/> 32.5 <input type="checkbox"/> 35 <input type="checkbox"/> 37.5 <input type="checkbox"/> 40 <input type="checkbox"/> 42.5 <input type="checkbox"/> 45 <input type="checkbox"/> 47.5 <input type="checkbox"/> 50			
Back upholstery			
MD 02	<input type="checkbox"/>	Adaptable, breathable	£58.00
MD 03	<input type="checkbox"/>	Adaptable, padded	Inclusive
MD 25	<input type="checkbox"/>	Height-adjustable / adaptable upholstery, including push handles, long (adjustment range = 10 cm)	£159.00
MD 26	<input type="checkbox"/>	Height-adjustable / adaptable upholstery, including push handles, short (adjustment range = 10 cm)	£159.00
MD 32	<input type="checkbox"/>	Backster (firm back) Angle adjustment <input type="checkbox"/> 0° <input type="checkbox"/> 5° <input type="checkbox"/> 10° <input type="checkbox"/> 15°	£386.00
MD 06	<input type="checkbox"/>	Without	Inclusive
Back upholstery with zippered pocket			
MD 70	<input type="checkbox"/>	Yes	£50.00
MD 71	<input type="checkbox"/>	No	Inclusive
Back upholstery with spacer fabric			
MD 72	<input type="checkbox"/>	Yes	£47.00
MD 73	<input type="checkbox"/>	No	Inclusive
Push handles			
MD 50	<input type="checkbox"/>	Standard, short	Inclusive
MD 51	<input type="checkbox"/>	Standard, long	Inclusive
MD 56	<input type="checkbox"/>	Fold-down (from BH 30)	£55.00
MD 52	<input type="checkbox"/>	Telescoping, long	£76.00
MD 53	<input type="checkbox"/>	Telescoping, short	£76.00
MD 59	<input type="checkbox"/>	Without	Inclusive
Back accessories			
MD 21	<input type="checkbox"/>	Padding for push handles (not available with fold-down push handles)	£32.00
MD 33	<input type="checkbox"/>	Fixed support, large, right	£114.00
MD 33	<input type="checkbox"/>	Fixed support, large, left	£114.00
MD 34	<input type="checkbox"/>	Fixed support, small, right	£114.00
MD 34	<input type="checkbox"/>	Fixed support, small, left	£114.00
MD 35	<input type="checkbox"/>	Swing-away support, right	£119.00
MD 35	<input type="checkbox"/>	Swing-away support, left	£119.00
MD 36	<input type="checkbox"/>	Lateral / lumbar pad set	£31.00
Side panels			
ME 01	<input type="checkbox"/>	Standard, aluminium	Inclusive
ME 02	<input type="checkbox"/>	Clothing protector with protection against the cold, aluminium	£48.00
ME 04	<input type="checkbox"/>	Carbon clothing protector	£278.00
ME 05	<input type="checkbox"/>	Plug-on, with arm rest, height-adjustable	£130.00
ME 99	<input type="checkbox"/>	Without	Inclusive
Side panel accessories			
ME 50	<input type="checkbox"/>	Arm rest, padded, swing-away, different height settings are possible	£280.00
Seat upholstery			
MC 14	<input type="checkbox"/>	Seat upholstery, adaptable	Inclusive
MC 06	<input type="checkbox"/>	Without	Inclusive

Seat cushion					
MC 01	<input type="checkbox"/>	Standard seat cushion	<input type="checkbox"/> 3 cm <input type="checkbox"/> 5 cm	£65.00	
MC 04	<input type="checkbox"/>	Combi ^{3S} seat cushion (thickness 6.5 cm)		£89.00	
MC 05	<input type="checkbox"/>	Evolight seat cushion (thickness 6 cm)		£158.00	
MC 07	<input type="checkbox"/>	Evolight Pro seat cushion (thickness 8 cm)		£158.00	
Lower leg length in cm (without seat cushion)					
Desired setting: _____ (available setting range 17 – 49 cm)					
Foot rests					
MB 03	<input type="checkbox"/>	Single-panel foot rest, angle-adjustable (lower leg length 39 – 49 cm)		Inclusive	
MB 06	<input type="checkbox"/>	Tube foot rest, aluminium light, fixed (lower leg length 39 – 49 cm) not available for inside dimension 21 and 23		£38.00	
MB 10	<input type="checkbox"/>	Individual foot rests (lower leg length 39 – 49 cm)		£95.00	
MB 20	<input type="checkbox"/>	Single-panel foot rest for short lower leg length (16 – 39 cm)		£82.00	
Foot rest accessories					
MB 73	<input type="checkbox"/>	Lateral heel blocks		£40.00	
Other accessories					
MZ 50	<input type="checkbox"/>	Lap belt with plastic buckle		£30.00	
MZ 51	<input type="checkbox"/>	Lap belt with metal buckle		£33.00	
MZ 52	<input type="checkbox"/>	Tool kit		£28.00	
Spoke protector for hollow rim					
MG 90	<input type="checkbox"/>	Transparent		£85.00	
MG 91	<input type="checkbox"/>	Eye Catcher decor		£95.00	
MG 92	<input type="checkbox"/>	Flower Power decor		£95.00	
MG 93	<input type="checkbox"/>	Clown decor		£95.00	
MG 94	<input type="checkbox"/>	Fire decor		£95.00	
MG 96	<input type="checkbox"/>	Gecko decor		£129.00	
Frame colours					
001	<input type="checkbox"/>	Brilliant silver	002	<input type="checkbox"/>	Anthracite metallic
003	<input type="checkbox"/>	Deep black	004	<input type="checkbox"/>	Ice blue
005	<input type="checkbox"/>	Sparkle light orange	006	<input type="checkbox"/>	Sparkle blue-green
007	<input type="checkbox"/>	Sparkle silver new	008	<input type="checkbox"/>	Snake clear red
009	<input type="checkbox"/>	Dormant vinho sparkle	010	<input type="checkbox"/>	Dormant marine blue
011	<input type="checkbox"/>	Dormant apple green	012	<input type="checkbox"/>	Dormant sky blue
013	<input type="checkbox"/>	Deep black matte	014	<input type="checkbox"/>	Candy red
015	<input type="checkbox"/>	Clear reptile glossy	019	<input type="checkbox"/>	White pearl
Special colour					
99	<input type="checkbox"/>	Polished		£386.00	
Upholstery colours					
901	<input type="checkbox"/>	Black		Inclusive	
902	<input type="checkbox"/>	Blue		Inclusive	
Special accessories					
MZ 93	<input type="checkbox"/>	Wheelchair backpack		£32.00	
MZ 90	<input type="checkbox"/>	Tire-a-light, red (flashing lights for rear wheel valves)		£16.00	
MZ 91	<input type="checkbox"/>	Tire-a-light, blue (flashing lights for rear wheel valves)		£16.00	