



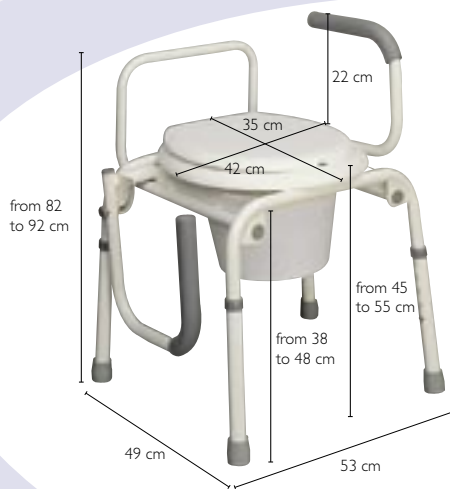
Yes, you can.[®]

Invacare[®] Toilet Aids and Grab Rails



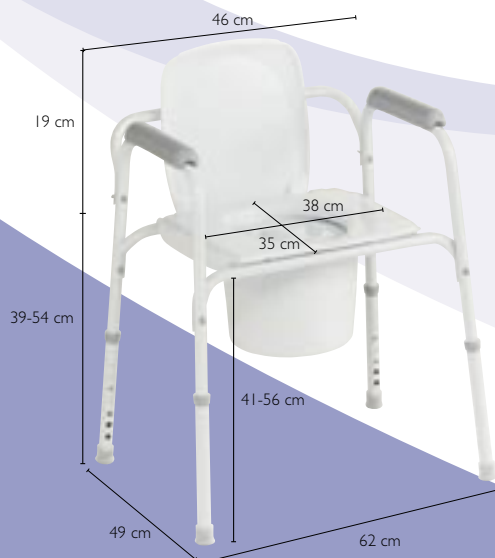
➤ C407A : Invacare[®] Adeo Toilet Frame

- Height adjustable from 64 cm to 74 cm.
- Fits most standard toilets.
- Complete with armrests.



➤ H340 : Invacare[®] Izzo Portable Toilet Commode

- Height adjustable from 45 cm to 55 cm.
- Complete with seat sanitary pan and lid.
- Swing away armrest for side transfer.

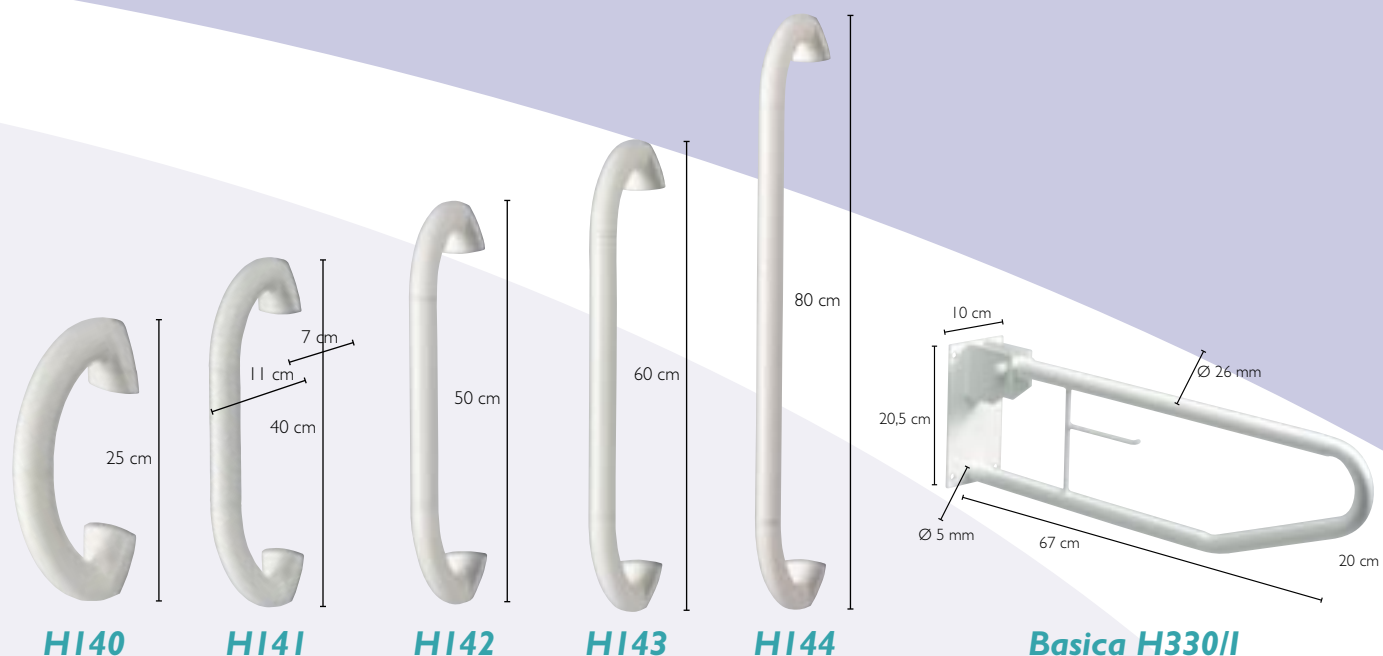


➤ 9630E : Invacare[®] Portable Toilet Commode

- Height Adjustable from 39 cm to 54 cm.
- Easy to clean.
- Complete with seat, sanitary pan and lid.

Invacare® Aqua Grab Rails

A range of robust and ergonomic **Grab Rails**, designed for locations where additional support is required.



➤ **HI40 : Invacare® Aqua 25 cm Grab Rail**

➤ **HI41 : Invacare® Aqua 40 cm Grab Rail**

➤ **HI42 : Invacare® Aqua 50 cm Grab Rail**

➤ **HI43 : Invacare® Aqua 60 cm Grab Rail**

➤ **HI44 : Invacare® Aqua 80 cm Grab Rail**

➤ **H330/I : Invacare® Basica Flip Up Grab Rail**

Technical data

	C407A	H340	9630E	Grab Rails	H330/I
Weight (kg)	2	8.8	5.5	0.3 - 0.9	2
Max. user weight (kg)	100	100	135	100	130
Warranty (years)	2	2	2	2	2

Toilet Aids · UK · 11/08 · Part-No. 1526646

© Invacare® International SARL 2008. All rights reserved.

All information quoted is believed to be correct at time of print. Invacare® reserves the right to alter product specifications without prior consultation.



INVACARE® Limited
 South Road · Bridgend Industrial Estate · BRIDGEND CF31 3PY
 Tel. +44 (0) 1656 647327 · Fax +44 (0) 1656 649016
 E-mail: uk@invacare.com · www.invacare.co.uk
 Sales Order E-mail: ordersuk@invacare.com

INVACARE® Ireland Ltd
 Unit 5 · Seatown Business Campus
 Seatown Road · SWORDS · County Dublin
 Tel. (353) 181 070 84 · Fax (353) 181 070 85
 Email: Ireland@invacare.com · www.invacare.ie

