



Yes, you can.®

Invacare® Shower Stools

Invacare®'s **shower stool range** offers a wide variety of choice, to ensure a product type suitable for a range of locations and requirements.



➤ **10200-32 : Aquatec® Dot Round Shower Stool 50 cm**

➤ **10201-32 : Aquatec® Dot Round Shower Stool 55 cm**

3 year warranty

- Textured non slip surface.
- Large diameter rubber feet offer stability.
- Clip assembly - no need for tools.

AQUATEC



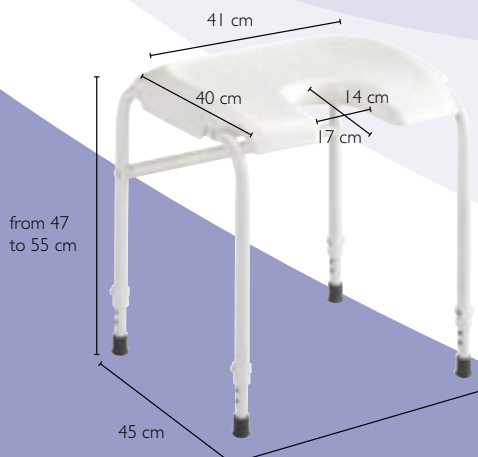
➤ **9.00.002 : Aquatec® Disk on Dot Round Shower Stool 50 cm**

➤ **9.01.002 : Aquatec® Disk on Dot Round Shower Stool 55 cm**

3 year warranty

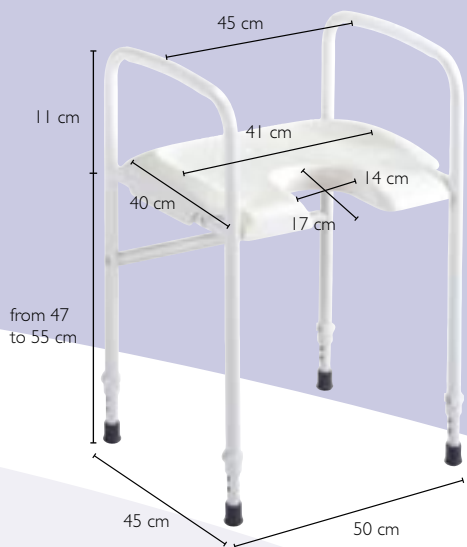
- The swivel seat offers easier transfer where space is limited.
- Rubber feet protect shower tray and flooring.

AQUATEC



➤ **H2120/1 : Invacare® Alize Basic Height Adjustable Shower Stool**

- Height Adjustable from 47 cm to 55 cm.
- Seat unclips for easy cleaning.
- Light weight and easy to transport.
- Hygiene recess.



➤ **H2240/I : Invacare® Alize Basic** **Height Adjustable Shower Stool** **with Hand Rails**

- Height Adjustable from 47cm to 55cm.
- Hand rails to aid transfer.
- Seat unclips for easy cleaning.
- Light weight design.
- Hygiene recess.
- Moulded shaped seat.



➤ **9780E : Invacare® I-Fit™** **Height Adjustable Shower Stool**

- Height Adjustable from 38 cm to 55 cm, in centimetre increments.
- Large ergonomic shaped seat for comfort.
- Easy to clean.
- Light weight and easy to transport.
- Stylish modular design.
- Hygiene recess.

Weight Limit
180 kg / 28 stone



➤ **9781E : Invacare® I-Fit™** **Height Adjustable Shower Stool** **with Back Rest**

- Height Adjustable from 38 cm to 55 cm, in centimetre increments.
- Removable back rest.
- Ergonomic shaped seat with backrest for extra comfort.
- Easy to clean.
- Light weight and easy to transport.
- Weight of shower stool only 4.5kg.

Weight Limit
180 kg / 28 stone

Peace of mind

Replacement - spare parts are available for all Invacare® and Aquatec® products.

Technical data

	10200-32	10201-32	9.00.002	9.01.002	H2120/I	H2240/I	9780E	9781E
Weight (kg)	2.3	4.1	2.5	3.3	4.5	5.7	3.7	4.5
Max. user weight (kg)	100	100	100	100	120	120	180	180
Warranty (years)	3	3	3	3	2	2	2	2

Shower · UK · 11/08 · Part-No. 1526642

© Invacare® International SARL 2008. All rights reserved.

All information quoted is believed to be correct at time of print. Invacare® reserves the right to alter product specifications without prior consultation.



INVACARE® Limited
South Road · Bridgend Industrial Estate · BRIDGEND CF31 3PY
Tel. +44 (0) 1656 647327 · Fax +44 (0) 1656 649016
E-mail: uk@invacare.com · www.invacare.co.uk
Sales Order E-mail: ordersuk@invacare.com

INVACARE® Ireland Ltd
Unit 5 · Seatown Business Campus
Seatown Road · SWORDS · County Dublin
Tel. (353) 181 070 84 · Fax (353) 181 070 85
Email: Ireland@invacare.com · www.invacare.ie