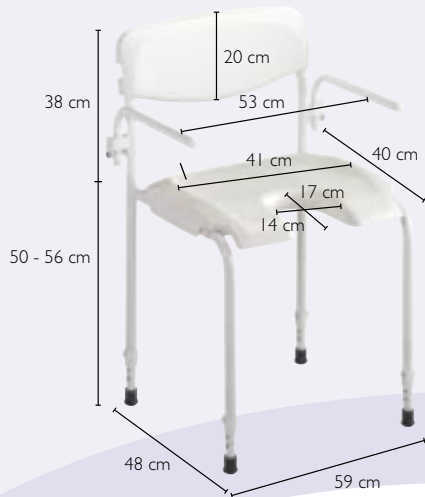




Yes, you can.®

Invacare® Shower Chairs



➤ H2480/I : Invacare® Alize Height Adjustable Shower Chair with Back Rest & Armrests

- Compact shower chair with arms.
- Rust proof.
- Adjustable seat to ground height from 50 cm to 56 cm.
- Easy to clean.
- Hygiene recess.

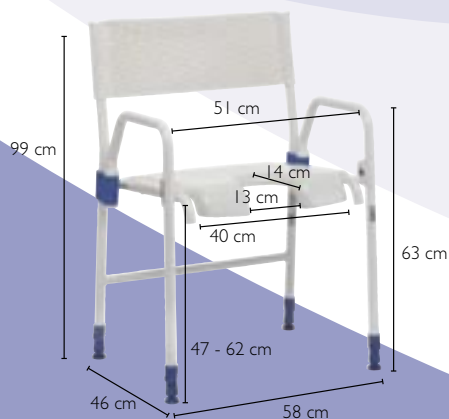


➤ 998IE : Invacare® Hydraia Folding Shower Chair.

- Convenient design.
- Fold away and light weight.
- Compact yet robust.
- Drainage holes.
- Non slip feet.
- Side hand grips.



Convenient, compact storage



➤ 1470805 : Aquatec® Galaxy Height Adjustable Shower Chair with Back Rest & Armrests

- Folding design for space saving storage.
- Stable arm rests.
- Corrosion resistant extension legs that compensate for ground unevenness.
- Flexifoot non-slip rubber tips

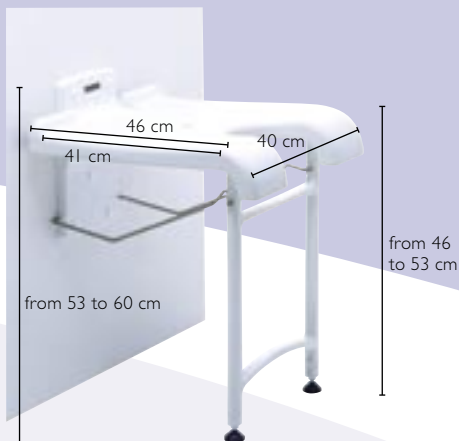
AQUATEC

**3 year
warranty**



Folds for storage and travel

Invacare® Wall mountable Shower Chairs



9.10.101 : Aquatec® Sansibar Wall Mounted Shower Stool with Hygiene Recess

- Space saving, folding shower chair.
- Excellent for small showers.
- Rust proof.
- Height Adjustable from 53 cm to 60 cm for individual adaptations.
- Easy to clean.
- Quick and easy to install.
- Large hygiene recess.

**3 year
warranty**

AQUATEC



R8803 : Invacare® Futura Wall Mountable Shower Stool with Backrest (without legs)

- Ergonomic shaped back rest and seat for extra comfort.
- Compact and easy to clean.
- Ultra Modern Design

R8803.60

- Available with legs



R8804 : Invacare® Futura Wall Mountable Shower Stool with Armrests & Backrest (without legs)

- Ergonomic shaped back rest and seat for extra comfort.
- Complete with armrests
- Compact and easy to clean.
- Ultra Modern design.

R8804.60

- Available with legs



Technical data

	H2480/1	9981E	1470805	9.10.101	R8803	R8804	R8803.60	R8804.60
Weight (kg)	7.5	2.9	7.5	2.6	5	5	9	9
Max. user weight (kg)	120	100	100	130	135	135	135	135
Warranty (years)	2	2	3	3	2	2	2	2

Shower Chairs · UK · 1/08 · Part-No. 1526643

© Invacare® International SARL 2008. All rights reserved.

CE



INVACARE® Limited
South Road · Bridgend Industrial Estate · BRIDGEND CF31 3PY
Tel. +44 (0) 1656 647327 · Fax +44 (0) 1656 649016
E-mail: uk@invacare.com · www.invacare.co.uk
Sales Order E-mail: ordersuk@invacare.com

INVACARE® Ireland Ltd
Unit 5 · Seatown Business Campus
Seatown Road · SWORDS · County Dublin
Tel. (353) 181 070 84 · Fax (353) 181 070 85
Email: Ireland@invacare.com · www.invacare.ie